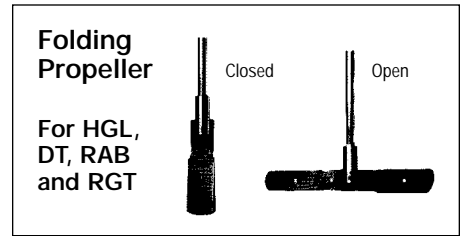


# Bulk Container Mixers – Gear Drive Bung or Bracket Mount Vertical Motors for Single Containers

Neptune Bulk Container Mixers allow mixing in semi-bulk shipping containers.



## Series HGL, 430 rpm

### Features

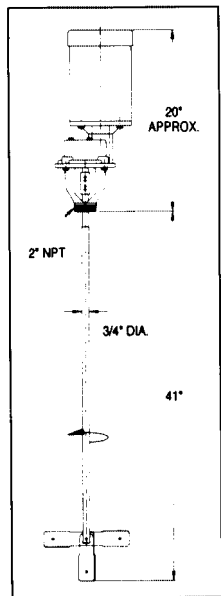
- Mounts to 2-in. coupling or flange.
- 316SS propeller folds to fit through 2-in. opening; opens to 9-in. operating diameter.
- 1/3 HP and 1/2 HP single-phase TEFC units supplied with 8 feet of cord and 3 prong plug.

Model Number	Standard Motor Description	Shaft Diameter
<b>Totally-enclosed fan-cooled (TEFC)</b>		
HGL-2.0	1/3 HP-1-115/230	3/4"
HGL-2.2	1/3 HP-3-230/460	3/4"
HGL-3.0	1/2 HP-1-115/230	3/4"
HGL-3.2	1/2 HP-3-230/460	3/4"
HGL-5.0	3/4 HP-1-115/230	3/4"
HGL-5.2	3/4 HP-3-230/460	3/4"
HGL-6.0	1 HP-1-115/230	3/4"
HGL-6.2	1 HP-3-230/460	3/4"

### Air motor

HGL-4.0	1/2 HP AIR Air Requirements: 20CFM at 40PSI	3/4"
HGL-7.0	3/4 HP to 1 HP AIR Air Requirements: 30-40CFM at 25-35PSI	3/4"

For Explosion-proof models, see price list.



Series HGL



## Series DT, 420 rpm

### Features

- Mounts to the tank or optional universal bracket.
- 316SS propeller folds to fit through 2-in. opening; opens to 9-in. operating diameter.

Model Number	Standard Motor Description	Shaft Diameter
<b>Totally-enclosed fan-cooled (TEFC)</b>		
DT-1.0	1/2 HP-1-115/230	1"
DT-1.2	1/2 HP-3-230/460	1"
DT-2.0	3/4 HP-1-115/230	1"
DT-2.2	3/4 HP-3-230/460	1"
DT-3.0	1 HP-3-230/460	1"

### Air motor

DT-1.4	1/2 HP AIR Air Requirements: 20CFM at 40PSI	1"
DT-3.2	3/4 HP to 1 HP AIR Air Requirements: 30-40CFM at 25-35PSI	1"

For Explosion-proof models, see price list.

Series DT



Optional Series DT  
bracket adjusts to fit 32"  
to 50 1/2" wide containers  
MODEL DTA aluminum  
MODEL DTS steel

## Series RAB, 350 rpm

### Features

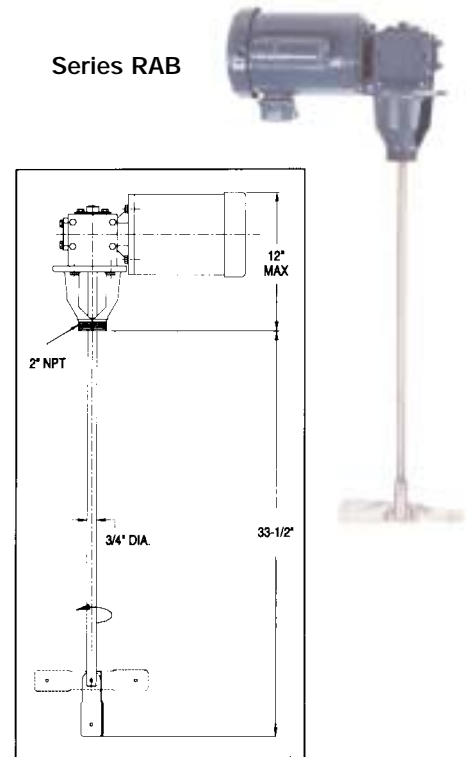
- Mounts to 2-in. coupling or flange.
- 316SS propeller folds to fit through 2-in. opening; opens to 9-in. operating diameter.
- 1/3 HP and 1/2 HP single-phase TEFC units supplied with 8 feet of cord and 3 prong plug.

Model Number	Standard Motor Description	Shaft Diameter
<b>Totally-enclosed fan-cooled (TEFC)</b>		
RAB-2.0	1/3 HP-1-115/230	3/4"
RAB-2.2	1/3 HP-3-230/460	3/4"
RAB-3.0	1/2 HP-1-115/230	3/4"
RAB-3.2	1/2 HP-3-230/460	3/4"
RAB-5.0	3/4 HP-1-115/230	3/4"
RAB-5.2	3/4 HP-3-230/460	3/4"
RAB-6.0	1 HP-1-115/230	3/4"
RAB-6.2	1 HP-3-230/460	3/4"

### Air motor

RAB-4.0	1/2 HP AIR Air Requirements: 20CFM at 40PSI	3/4"
RAB-7.0	3/4 HP to 1 HP AIR Air Requirements: 30-40CFM at 25-35PSI	3/4"

For Explosion-proof models, see price list.



Series RAB

# Bulk Container Mixers – Gear Drive

## Low Profile Mixers for Stackable Containers

Designed to sandwich between stacked semi-bulk shipping containers.

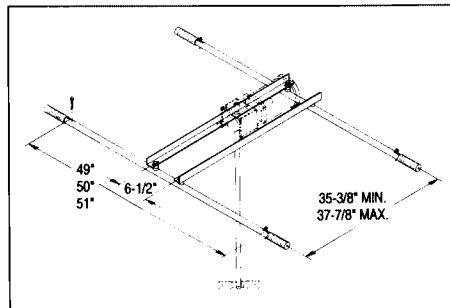
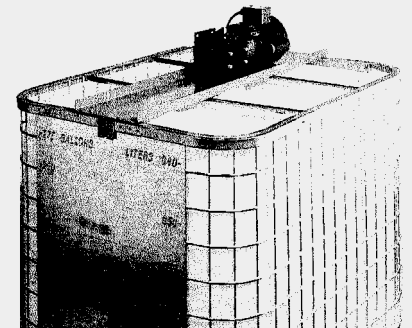
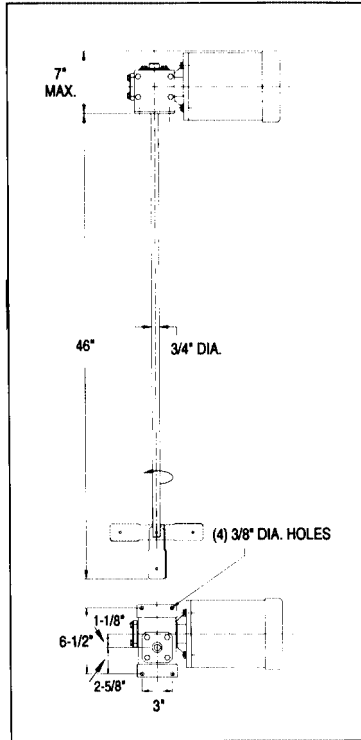
### Series RGT, 350 rpm

#### Features

- Mounts to the tank or optional bracket.
- 316SS propeller folds to fit through 2-in. opening; opens to 9-in. operating diameter.
- 1/2 HP single-phase TEFC units supplied with 8 feet of cord and 3 prong plug.

Model Number	Standard Motor Description	Shaft Diameter
<b>Totally-enclosed fan-cooled (TEFC)</b>		
RGT-1.0	1/2 HP-1-115/230	3/4"
RGT-1.2	1/2 HP-3-230/460	3/4"
RGT-2.0	3/4 HP-1-115/230	3/4"
RGT-2.2	3/4 HP-3-230/460	3/4"
RGT-3.0	1 HP-1-115/230	3/4"
RGT-3.2	1 HP-3-230/460	3/4"
<b>Air motor</b>		
RGT-1.4	1/2 HP AIR Air Requirements: 20CFM at 40PSI	3/4"
RGT-3.4	3/4 HP to 1 HP AIR Air Requirements: 30-40CFM at 25-35PSI	3/4"

For Explosion-proof models, see price list.



We stock custom brackets to adapt RGT mixers to the following IBCs:

- CLAWSON
- CLEAN EARTH
- HOOVER
- POLYPROCESSING
- SCHULTZ
- SNYDER
- SONOCO



RGT Mixer  
Installed Between  
Stackable IBCs



Series RGT  
with optional  
bracket